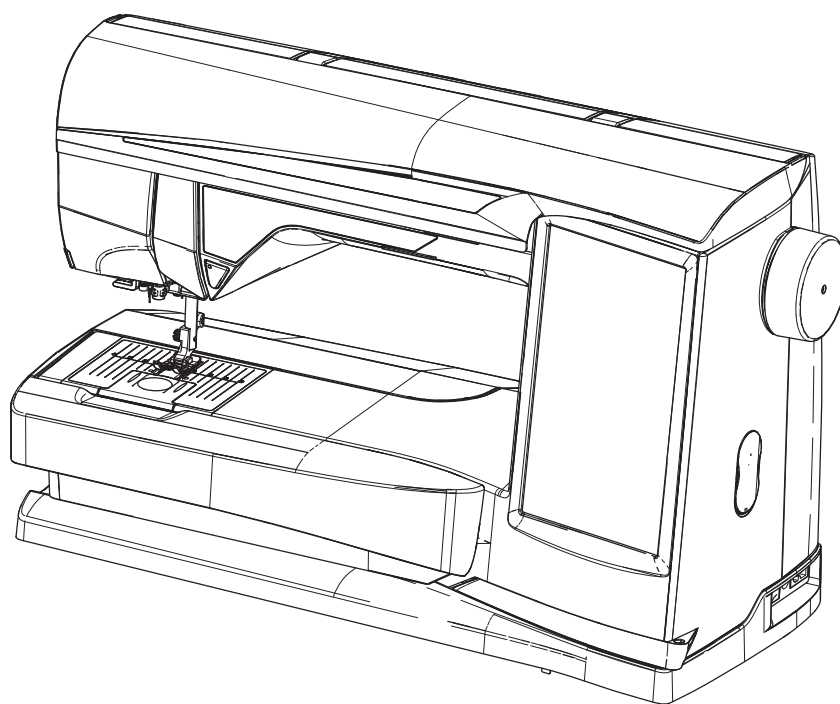
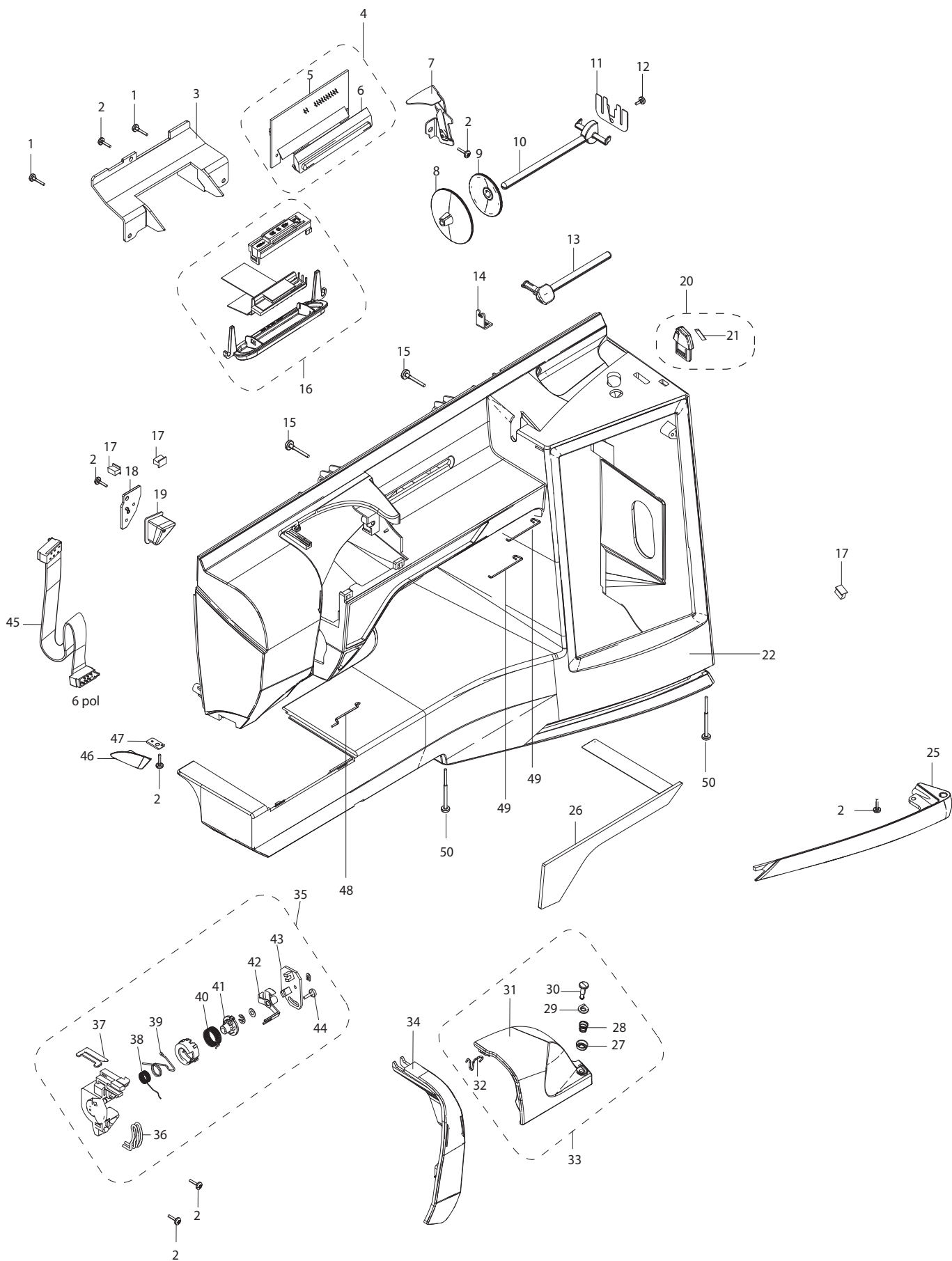


Parts list



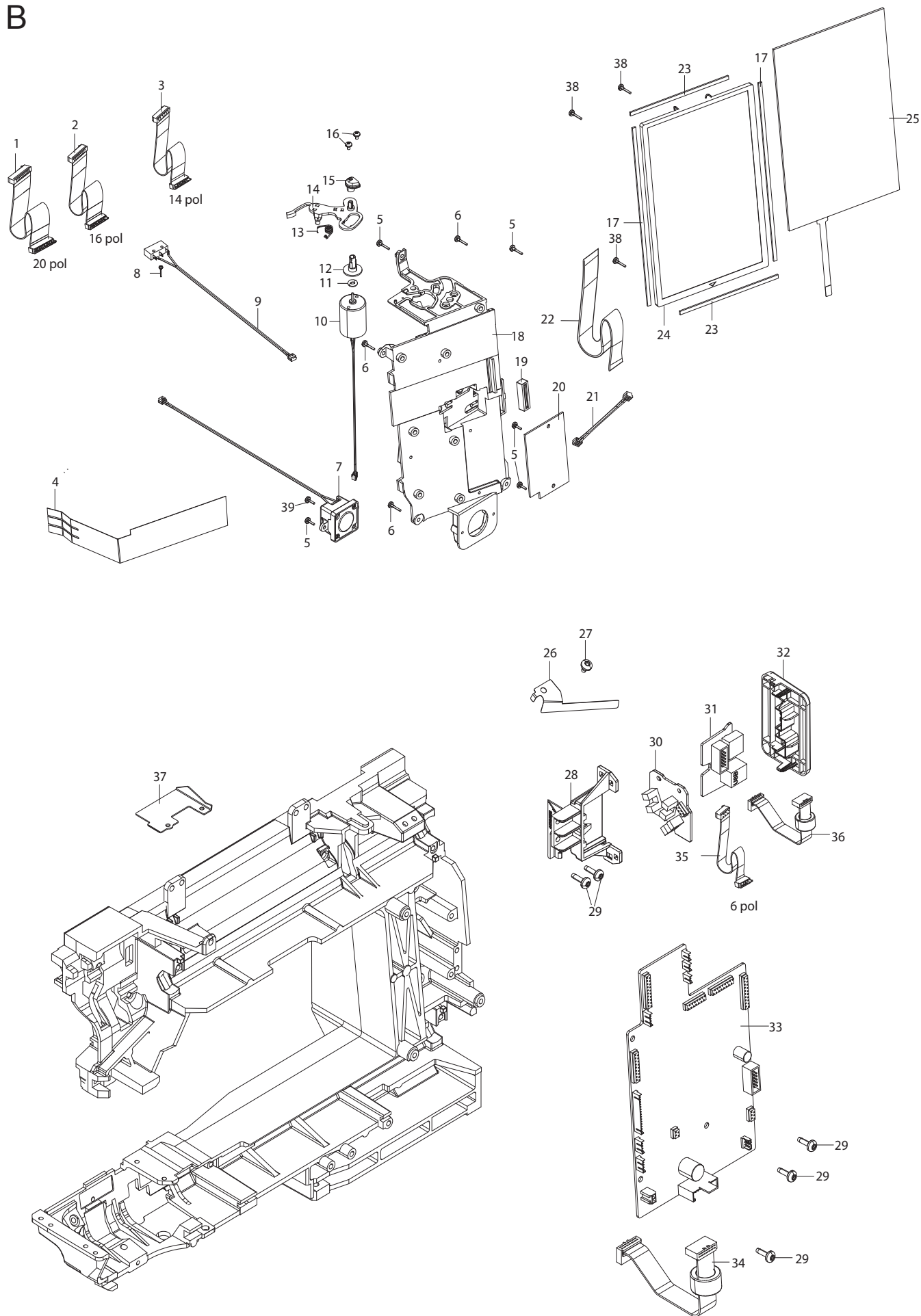
Designer Diamond Royale™

A



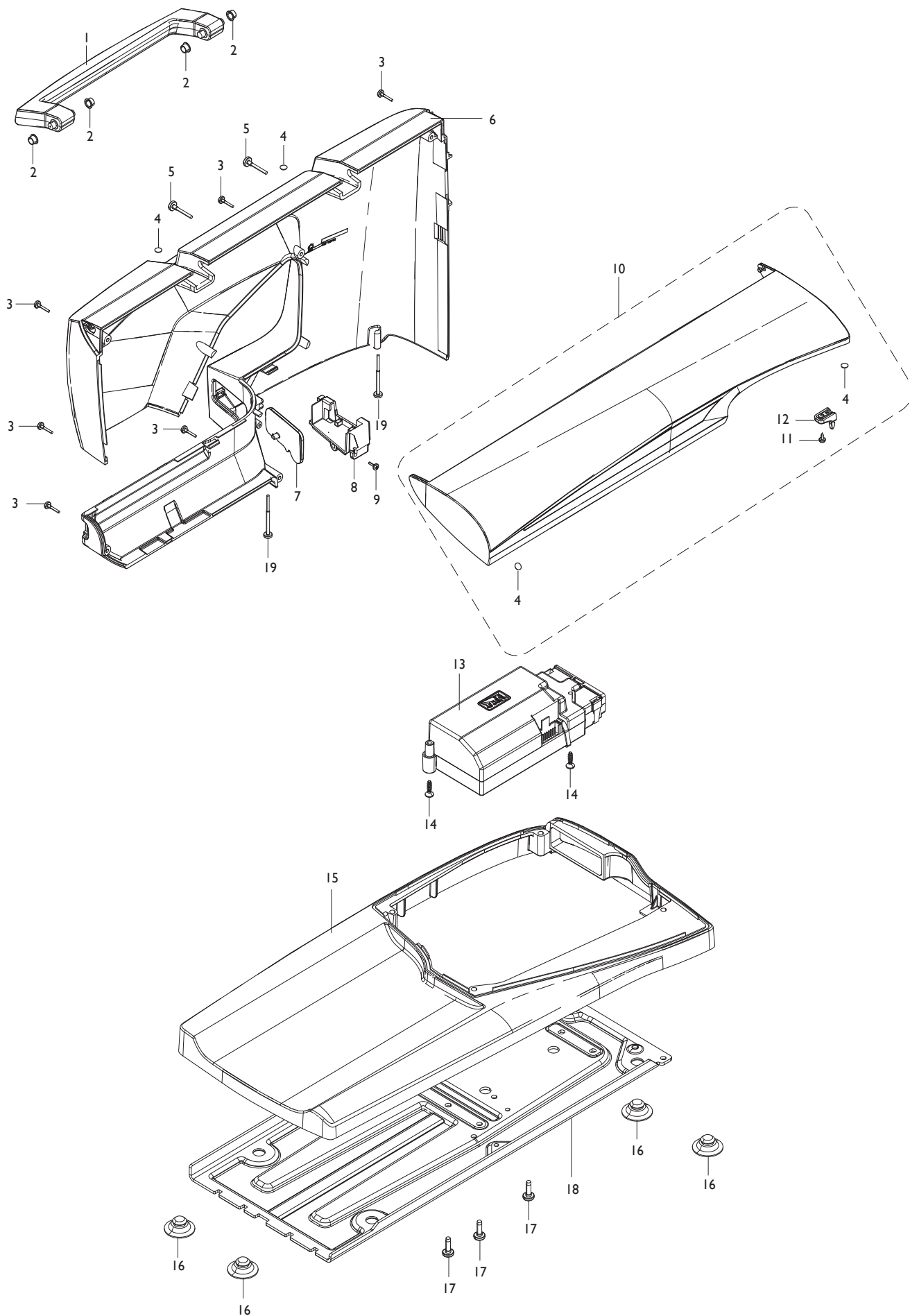
1	411966803	SCREW PT 30*12 FZB TORX
2	411966820	SCREW 30*10 FZB KOMBITORX
3	413181001	CABLE SHIELD
4	413125304	LED LIGHT CPL.
5	413246602	CONNECTOR BOARD FRONT
6	413123501	LED-WINDOW
7	412981302	THREAD GUIDE CPL.
8	413051603	SPOOL HOLDER 45 MM
9	413051602	SPOOL HOLDER 35 MM
10	412735901	REEL PIN
11	412735201	PLATE SPRING
12	411966828	SCREW PT 30*6 FZB TORX
13	413123701	THREAD REEL PIN
14	413147601	THREAD GUIDE BOBBIN WINDING
15	411966810	SCREW PT 40*20 FZB TORX
16	413125102	LED-LIGHT CPL P102
17	413233501	BRUSH SEAL
18	413145702	BOARD, REVERSE BUTTON
19	413124501	REVERSE BUTTON
20	413022401	COVER THREADKNIFE
21	412423701	THREAD CUTTER
22	413122706	FRONT COVER
25	413123802	DECORATIVE STRIP, PANEL
26	413249002	KEYBOARD CPL, FUNCTIONS BUT- TONS
27	412549801	WASHER
28	412521401	SPRING
29	412982701	GLIDE PLATE
30	412982601	PIN, THREAD GUIDE
31	413124703	THREAD TENSION COVER CPL.
32	413160101	THREAD SUPPORT
33	413124703	THREAD TENSION COVER CPL.
34	413123001	THREADGUIDE
35	413176502	THREAD SENSOR ASSEMBLY
36	413176701	THREAD GUIDE - LOWER
37	413178001	THREAD GUIDE UPPER
38	413177101	CHECK SPRING 1
39	413177301	SAFETY SPRING
40	413177201	CHECK SPRING 2
41	413177001	ADJUSTING SLEEVE - INNER PART
42	413177401	SENSOR THREAD TAKE-UP DEVICE
43	413202101	THREAD SENSOR ASSEMBLY
44	411966801	SCREW PT 30*7.5 FZB TORX
45	412546913	CABLE ASSEMBLY (6P)
46	413124102	THREADKNIFE HOLDER
47	412423701	KNIFE
48	413124601	THREAD SUPPPORT
49	412558001	THREAD SUPPPORT
50	411966812	SCREW PT 40*40 FZB TORX
49	412558001	THREAD SUPPPORT
50	411966812	SCREW PT 40*40 FZB TORX

B



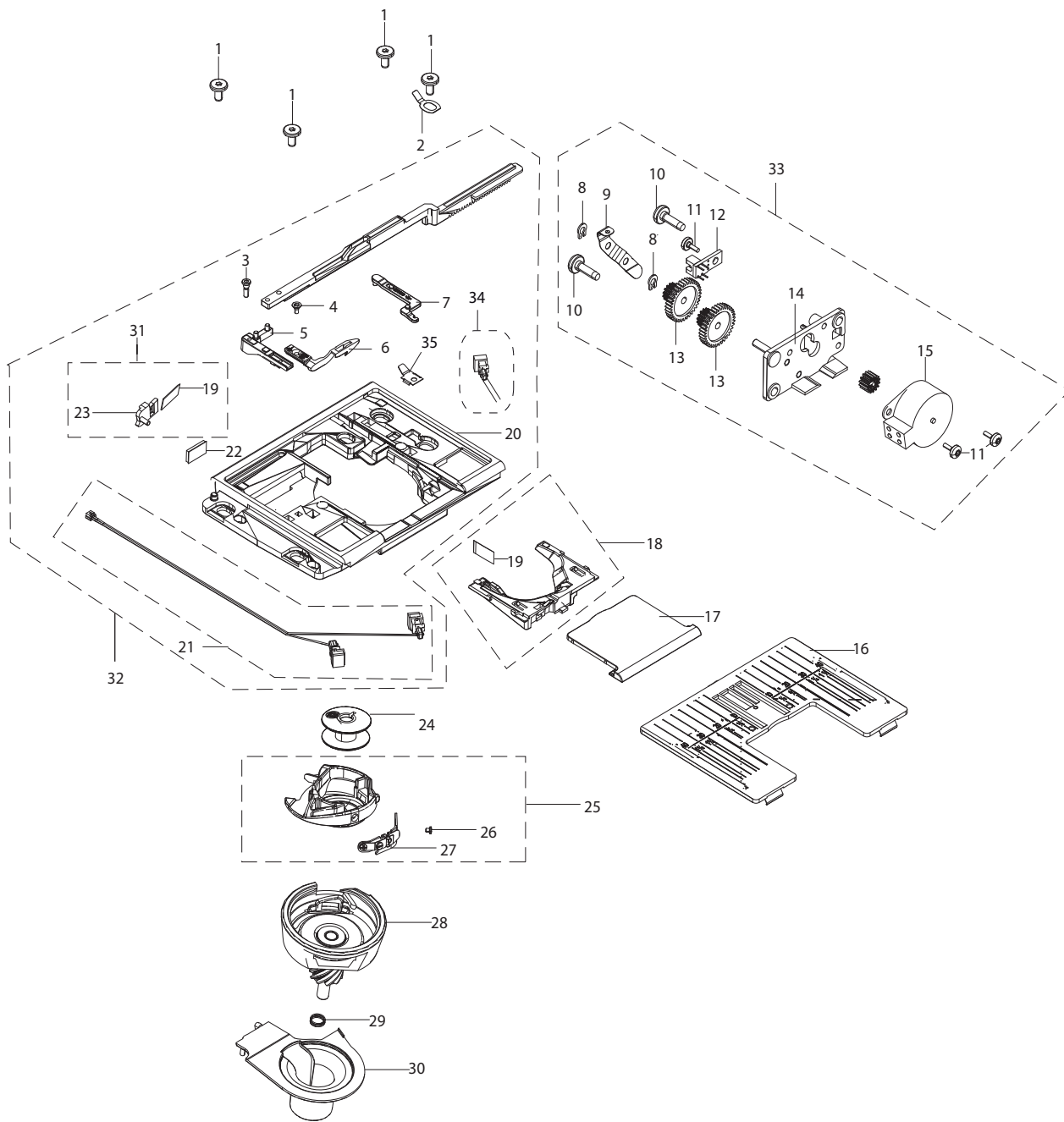
1	412546920	CABLE ASSEMBLY (20P)
2	413358605	CABLE ASSEMBLY (34 P)
3	413358606	CABLE ASSEMBLY (20P)
4	413396701	GROUNDING PLATE DISPLAY
5	411966801	SCREW PT 30*7,5 FZB TORX
6	411966803	SCREW PT 30*12 FZB TORX
7	413050002	LOAD SPEAKER BOX CPL
8	411966821	SCREW PT 18*10 FZB TORX
9	413049103	MICROSWITCH CPL.
10	413093002	BOBBIN WINDING MOTOR CPL.
11	412305502	O-RING
12	413062101	WINDING SHAFT
13	412757701	TORSION SPRING, WINDING STOP
14	413127401	LEVER WINDING STOP
15	412345001	ECCENTRIC, WINDING STOP
16	412211401	SCREW M3*4 TORX
17	412799125	FRICITION TAPE
18	413368801	CONSOLE, DISPLAY
19	413188601	FERRITE
20	413369401	CONNECTOR BOARD, DISPLAY
21	413265901	CABLE ASSEMBLY
22	413146402	CABLE DISPLAY
23	412799122	FRICITION TAPE
24	413369201	DISPLAY
25	413124403	TOUCH PANEL
26	413179001	GROUNDING PLATE
27	412056012	SCREW TAPITTE M4 * 6 TORX
28	412985502	HOLDER
29	412056006	SCREW TAPITTE M4 * 12 TORX
30	412986401	SENSOR BOARD, ASS
31	413024401	USB BOARD DUAL, CPL.
32	413024801	COVER, USB DUAL, HV
33	413369745	CONTROL BOARD
34	412349703	CABLE TRANSF-CONTROL BOARD
35	412546913	CABLE ASSEMBLY (6P)
36	413108801	CABLE USB
37	413286401	THREAD GUIDE
38	411966830	SCREW PT 25*8 FZB TORX
39	411966823	SCREW 18*5 FZB TORX

C



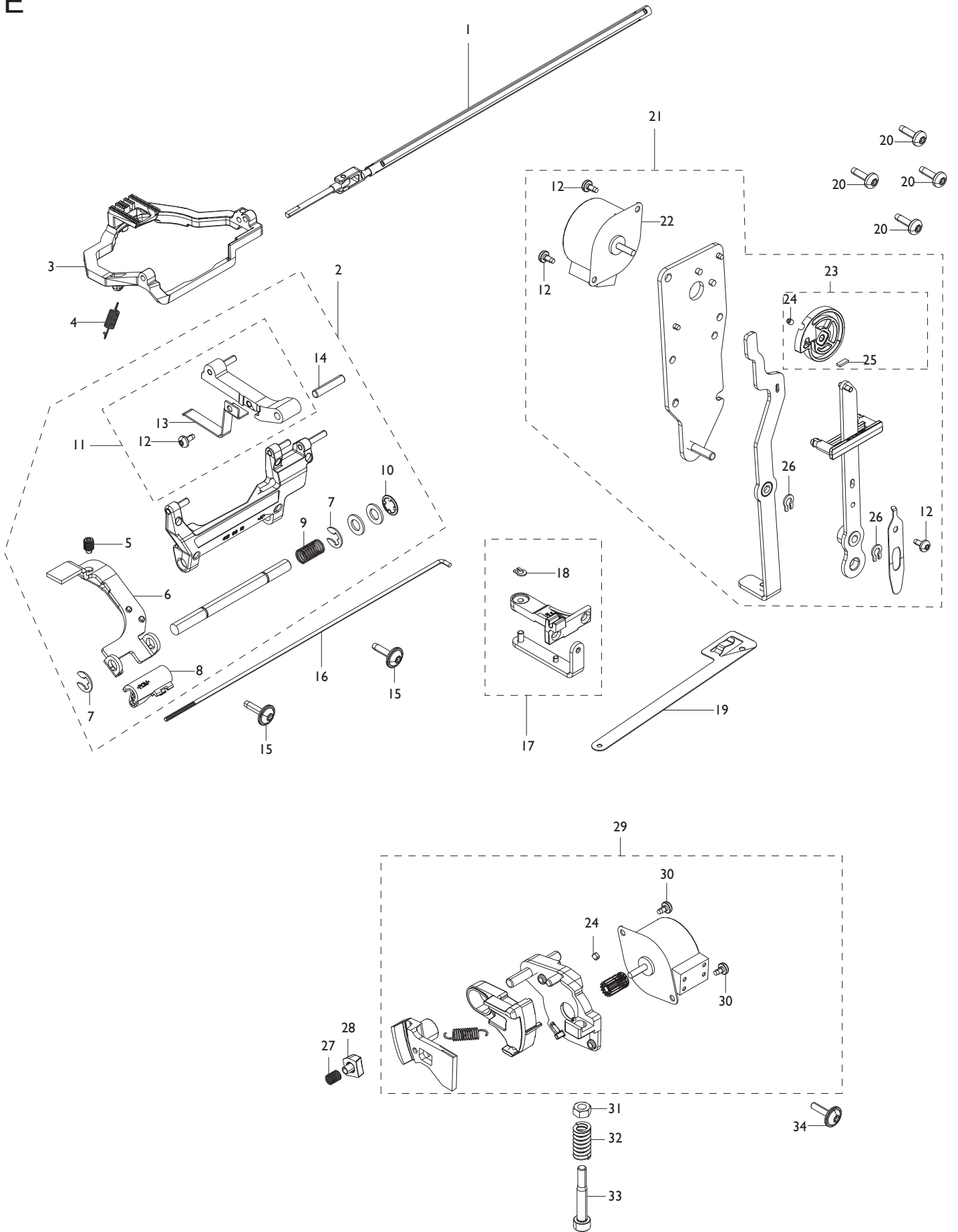
1	412954701	HANDLE
2	412700001	BUSHING
3	411966803	SCREW
4	412569701	DAMPER
5	411966810	SCREW
6	412959101	BACK COVER
7	413018501	LID XY
8	413018602	BASKET XY
9	9303311855000	SCREW 3*8
10	413124803	LID CPL.
11	411966702	SCREW B4*6.5 FZB TORX
12	413124803	LID CPL.
13	413390102	POWER SUPPLY CPL
14	411967105	SCREW PT FS 40*20 FZB TORX
15	412959202	BOTTOM COVER AHV
16	412305001	RUBBER FOOT BASE PLATE
17	412056001	SCREW TAPITTE M5 * 14 TORX
18	412954501	BOTTOM PLATE
19	411966812	SCREW PT 40*40FZB TORX

D



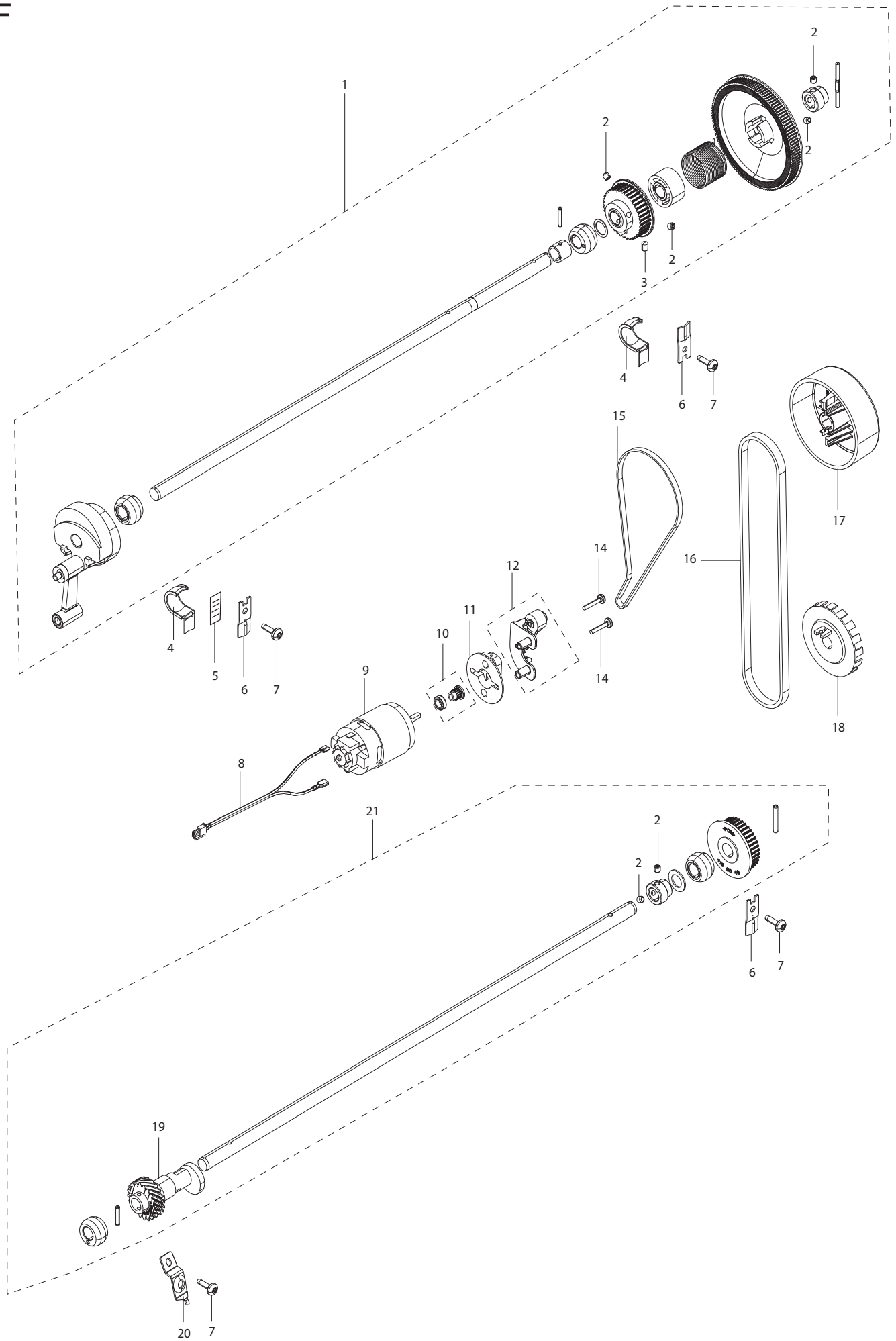
1	412287903	SCREW
2	412997701	ESD SPRING, STITCH PLATE
3	413010001	GUIDE PIN
4	412280501	SCREW, COUNTERSUNK
5	413072201	CONNECTING PART, FETCHER
6	413007101	FETCHER
7	413007301	FETCHER UPPER THREAD
8	735612440	COMPRESSION RINGS Ø 3
9	413007601	GUIDE GEAR RACK
10	412056006	SCREW TAPTITE M4*12 TORX
11	411966828	SCREW PT 30*6 FZB TORX
12	413072501	PCB CUT SENSOR
13	412457201	GEAR
14	413007502	MOTOR PLATE CPL.
15	413004601	STEPPING MOTOR
16	412964204	STITCH PLATE HV MM
17	412963901	BOBBIN COVER
18	413025601	RETAINER
19	412423701	THREAD KNIFE
20	412964105	HOOK COVER
21	413101502	CABLE ASS. BOBBIN SENSOR
22	413116701	THREAD BRAKE
23	413007701	KNIFE HOLDER
24	413182545	BOBBIN
25	413058903	BOBBIN CASE
26	412464501	SCREW BOBBIN CASE
27	412471601	THREAD TENSION CPL. BOBBIN CASE
28	412876902	HOOK CPL WITH SHAFT
29	412930101	SPRING, HOOK
30	412964502	DUST COVER
31	413047301	KNIFE HOLDER CPL.
32	412964004	HOOK COVER COMPL, CUT. AND SENS.
33	413007402	STEPPING MOTOR CPL.
34	413272501	STITCH PLATE SENSOR ASS.
35	413287301	SPRING, STICH PLATE SENSOR

E



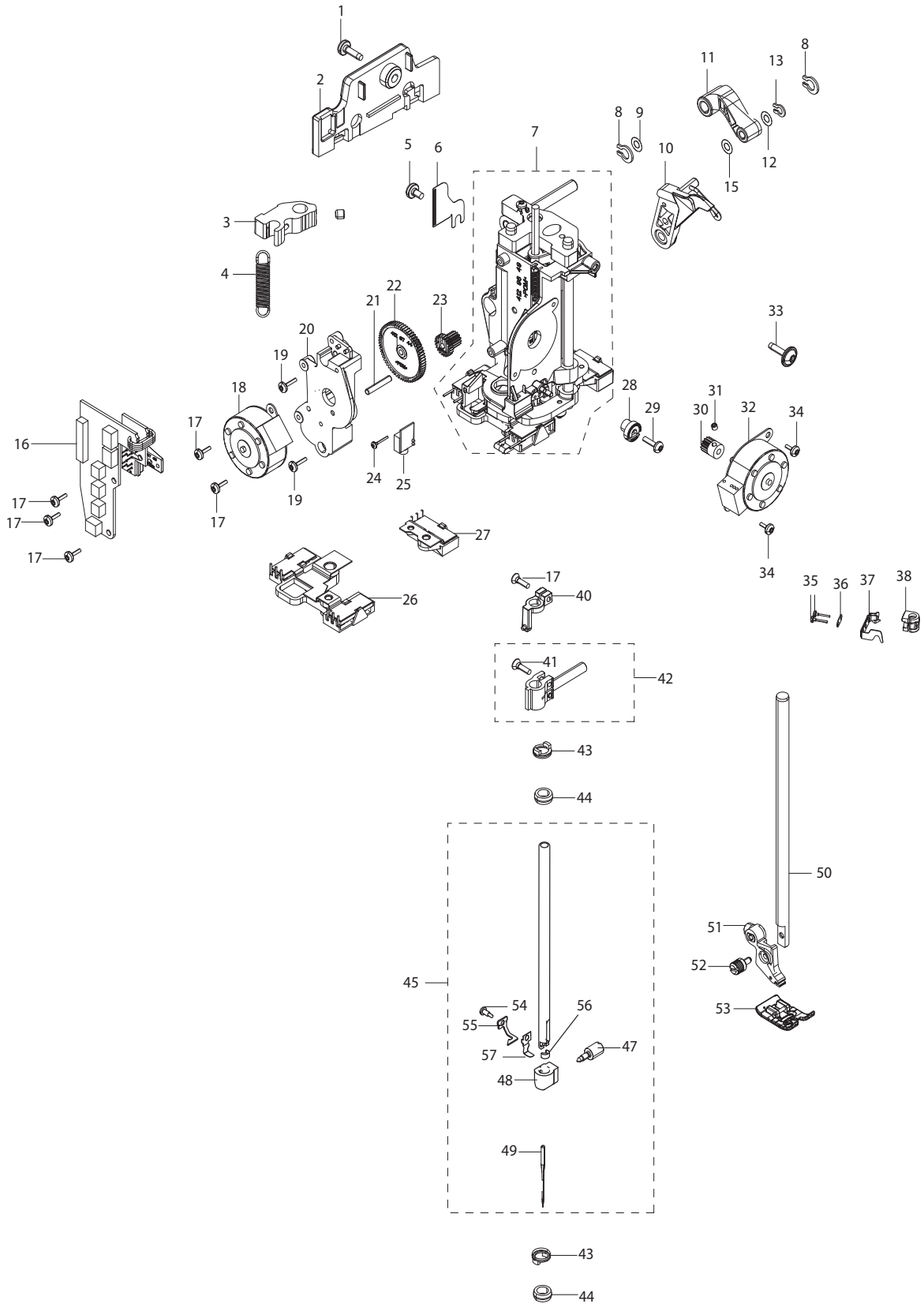
- 1 413033701 PULL ROD, SIDE FEED CPL.
- 2 413269014 CARRIGE FEED CPL.
- 3 413201302 FEED UNIT CPL.
- 4 413270001 FEED DOG SPRING
- 5 413201201 ADJUSTMENT SCREW, FEEDER
- 6 413200901 LEVER FEED LIFT CPL.
- 7 735310920 SNAP RING E-5
- 8 413034201 INSERT LEVER FEED LIFT
- 9 412962501 SPRING FEED DOG LOWERING
- 10 412368001 LOCK WASHER
- 11 412961602 LINK CARRIAGE FEED CPL.
- 12 412056004 SCREW TAPITTE M3*6 TORX
- 13 412961501 SPRING FEED
- 14 412316023 INA PIN
- 15 413169401 COLLAR SCREW TT TORX 4*14
- 16 413034101 PULL WIRE, FEED DOG DROP
- 17 413034501 LINKAGE UNIT, FEED DROP
- 18 735612440 COMPRESSION RING
- 19 413033401 TRANSM LINKAGE, FEED DOG DROP
- 20 412056006 SCREW TAPITTE M4*12 TORX
- 21 413060001 SIDE FEED, FEED DOG DROP CPL.
- 22 412997902 STEPPING MOTOR, SIDE FEED
- 23 413060101 CAM WHEEL CPL.
- 24 411968703 SET SCREW FLAT, M3*3 TORX
- 25 412796601 BUFFER
- 26 735613640 COMPRESSION RINGS
- 27 412961701 SPRING SLIDING BLOCK
- 28 412961801 BLOCK GUIDE
- 29 412963501 STEPMOTOR UNIT FEED CPL.
- 30 412056011 SCREW TAPITTE M3*5 TORX
- 31 413034402 COLLAR SCREW M4*10, LEFT HAND
- 32 413025401 NUT M5*0.5
- 33 412963601 SPRING
- 34 412963701 SCREW BALANCE ADJUST

F



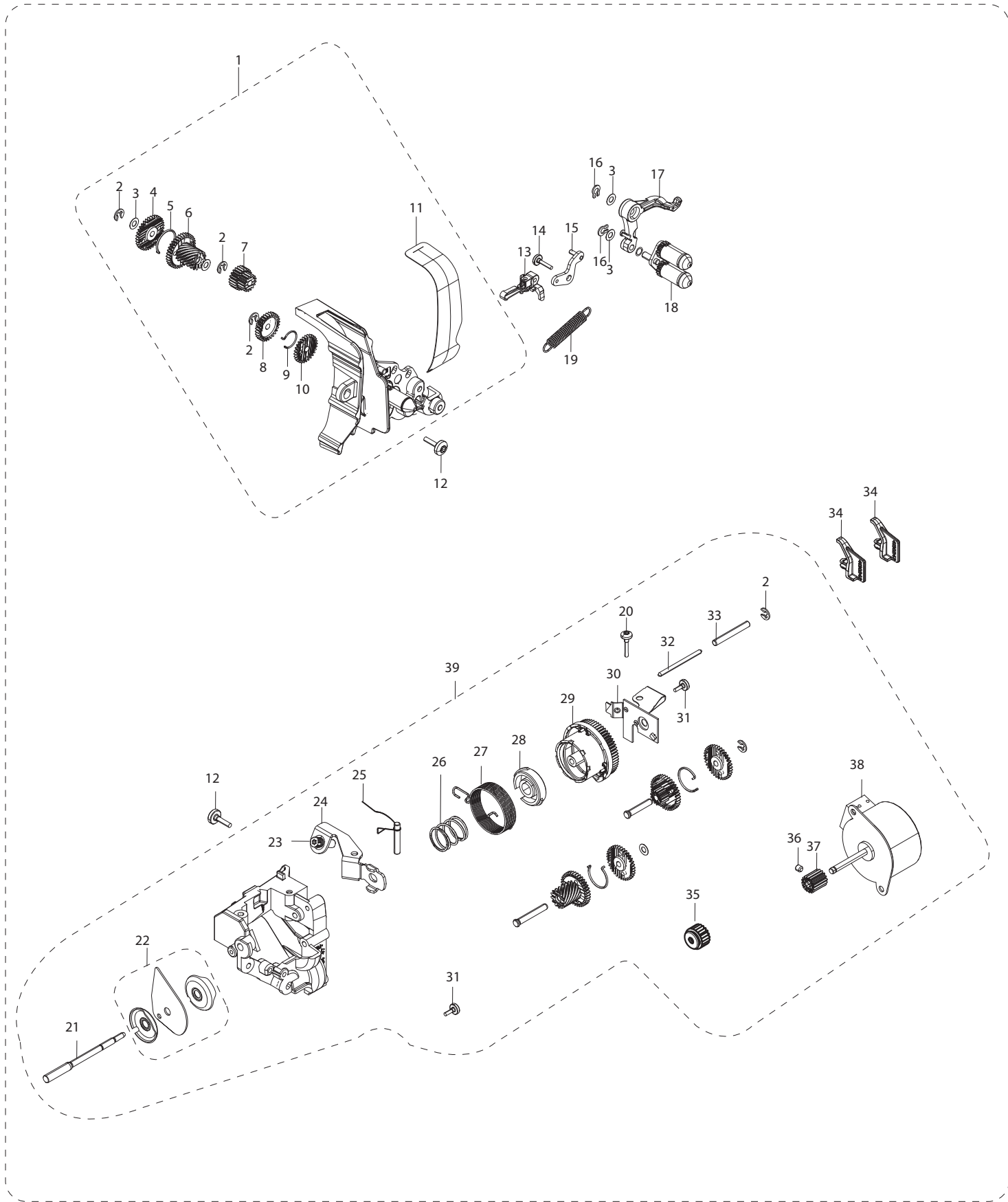
1	412966712	UPPER SHAFT CPL.
2	411968706	SET SCREW FLAT, M4*4 TORX
3	411968807	SET SCREW POINTED, M4*6 TORX
4	412558401	ABSORBER
5	412687601	GROUND TAPE
6	412328401	CLAMP
7	412056006	SCREW TAPITTE M4*12 TORX
8	413056901	CABLE MAIN MOTOR
9	9233011191000	MOTOR
10	412353302	DRIVING WHEEL
11	412999902	RUBBER DAMPER MOTOR
12	412971902	BELT STRETCHER, CPL.
13		
14	412211415	SCREW M4*20 TORX
15	413020201	COG BELT MOTOR
16	413020301	COG BELT UPPER - LOWER SHAFT
17	412954601	HAND WHEEL
18	412968101	SHIELD, REVOLUTION INDICATOR
19	412964403	ECCENTRIC FEED CPL.
20	412318101	CLAMP LOWER SHAFT
21	412967903	LOWER SHAFT

G



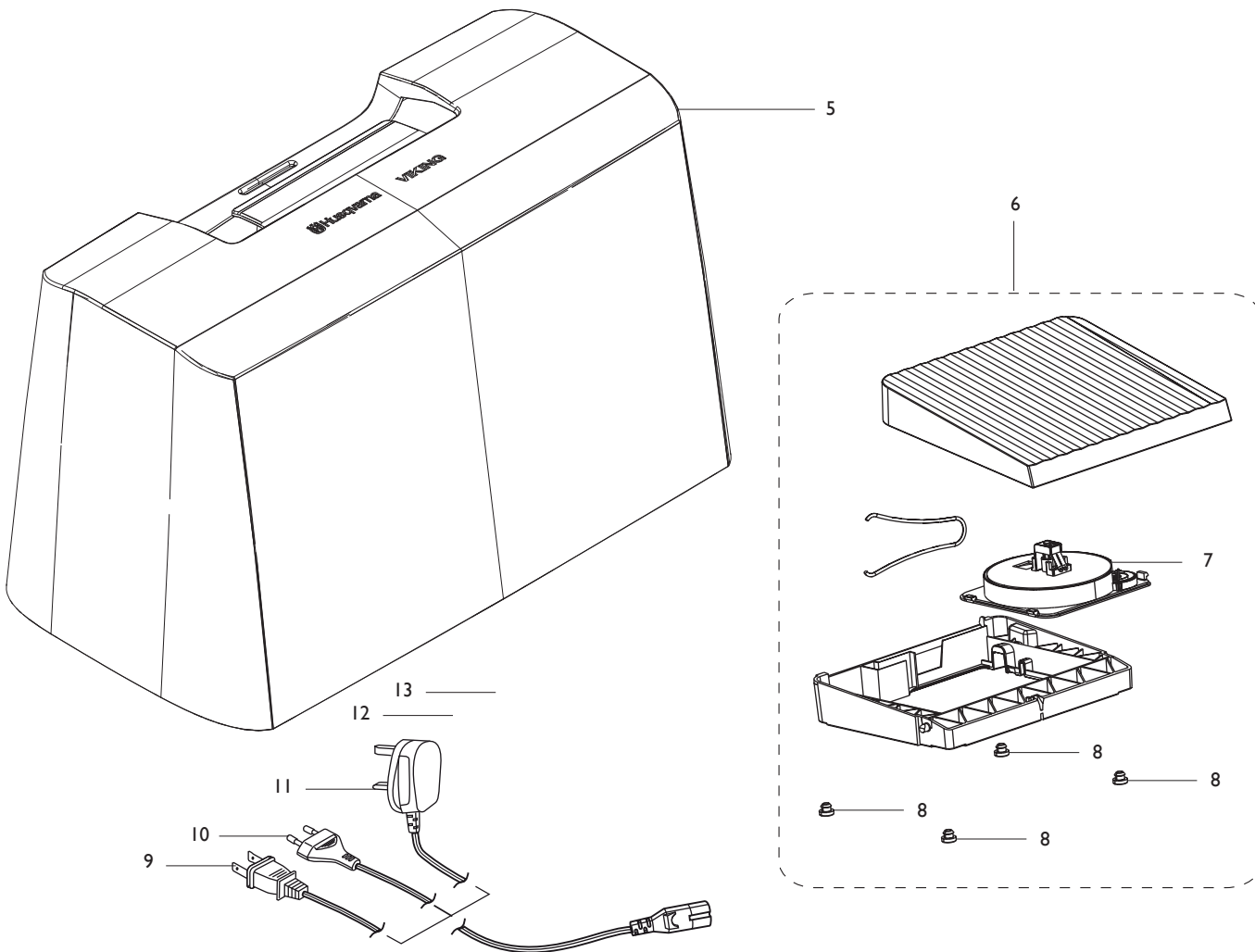
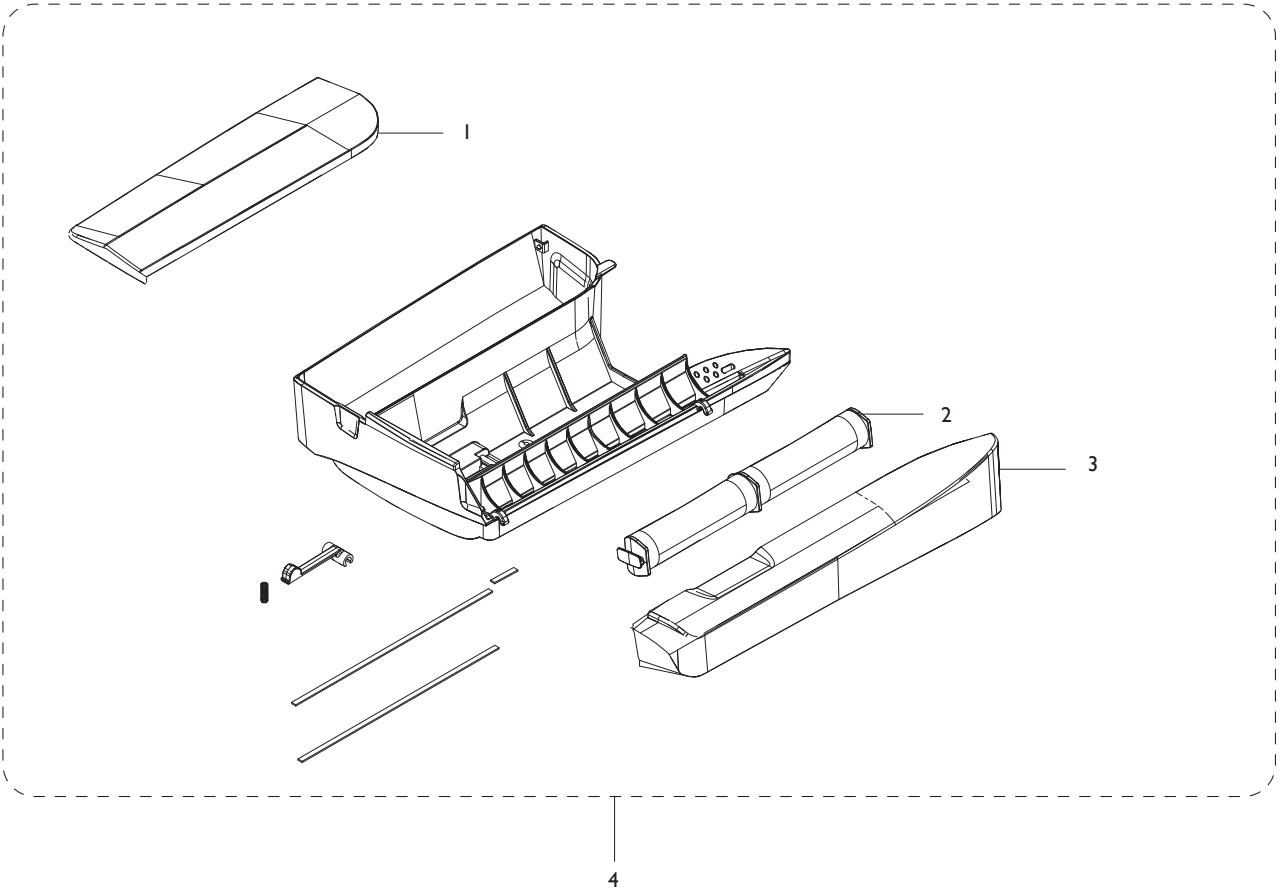
1	412056005	SCREW TAPITTE M4 *10 TORX	51	412616101	HOLDER PRESSER FOOT	G
2	413063901	CABLE SHIELD	52	412409701	SCREW PRESSERSHAFT	
3	412973802	GUIDE SERVO	53	412764001	PRESSER FOOT A, 7MM	
4	413137602	SPRING PRESSER FOOT PRESSURE	54	413094701	SCREW THREAD GUIDE	
5	412211410	SCREW M4*6 TORX	55	413228201	THREAD GUIDE, NEEDLE HOLDER	
6	412973901	SHIELD, PRESSER FOOT SERVO	56	413372601	CLAMPING PIECE	
7	413244201	SEWING HEAD CPL A HV/PF SPARE	57	413304201	THREAD LOCK, NEEDLE HOLDER	
8	735615340	COMPRESSION RINGS				
9	412001301	SPRING WASHER				
10	413300302	TAKE UP LEVER CPL.				
11	413047401	LINK				
12	412877001	WASHER				
13	735613640	COMPRESSION RINGS Ø4				
15	1231511025000	WASHER				
16	413067003	CONN. BOARD SERVO SENS.				
17	413019001	SCREW K 30*8 PT WN 1452S				
18	413005901	STEPPING MOTOR CPL.				
19	411966820	SCREW 30*10 FZB KOMBITORX				
20	412974201	GEARHOUSE, SERVO				
21	412316010	INA PIN NRB 3*17,8 0 -3µm				
22	412974401	GEARWHEEL SERVO SEC				
23	412974301	GEARWHEEL SERVO PRIM				
24	411966821	SCREW PT 18*10FZB TORX				
25	413031001	BUTTONSENS CONN ASS.				
26	413040102	LED HOLDER CPL. RIGHT				
27	413040202	LED HOLDER CPL. LEFT				
28	412966501	CALIBRATION KNOB				
29	412211404	SCREW M3*10 TORX				
30	413057201	GEAR Z-Z				
31	411968703	SET SCREW FLAT, M3*3 TORX				
32	412993901	STEPPING MOTOR				
33	413169401	COLLAR SCREW				
34	411966828	SCREW PT 30*6 FZB TORX				
35	411966825	SCREW PT 16*8 FZB TORX				
36	412876701	WASHER NEEDLE THREADER				
37	413238402	NEEDLE THREADER				
38	413053601	HOLDER NEEDLE THREADER				
40	412993502	STROKE LIMITER				
41	412280504	SCREW FS M3 * 10 FZB TORX				
42	412993605	CROSS HEAD CPL.				
43	412504701	LOCKING DEVICE				
44	412501501	BEARING 10/6, 35-4				
45	413242401	NEEDLE BAR CPL.				
46	728521905	SOCKET SET SCREWS, FLAT POINT				
47	413373001	SCREW, NEEDLE HOLDER HV				
48	413242301	NEEDLE CLAMP HV				
49	620071196	NEEDLES				
50	412285403	PRESSER BAR AVANTI				

H



40

1	413232202	SHEILD TAKE UP LEVER
2	735310620	LOCK WASHER 2.3
3	411967501	PLATE
4	413059202	INTERMEDIATE GEAR, MOVABLE
5	412442801	SPRING GEAR WHEEL
6	413055101	GEAR/HELICAL GEAR
7	413055201	GEAR
8	412880101	GEAR -FIXED
9	412880301	SPRING -GEAR
10	412880201	GEAR -RESILIENT
11	413218502	SEALING, TAKE UP LEVER
12	411966808	SCREW PT 40*10 FZB TORX
13	413264101	GEAR SHIFT BAR CPL
14	411966820	SCREW 30*10FZB KOMBITORX
15	413263901	BRACKET CPL.
16	735612440	COMPRESSION RINGS 3
17	413055301	LEVER
18	412743001	ROCKER ASS.
19	413055501	DRAW SPRING
20	411966803	SCREW PT 30*12 FZB TORX
21	412940101	SHAFT THREAD TENSION
22	413106402	THREAD DISK KIT
23	412962801	ADJUSTING SCREW, FEED DOG
24	412940501	RELEASE LEVER, THREAD TENSION
25	413262401	SPRING RELEASE LEVER
26	413159501	COMPRESSION SPRING, THREAD TENSION
27	413046601	TORSION SPRING, THREAD TENSION
28	412741701	NUT THREAD TENSION
29	413303402	SPRING HOUSING CPL.
30	413303301	CALIBRATION SENSOR CPL.
31	411966828	SCREW PT 30*6 FZB TORX
32	413113201	PIN
33	412316010	INA PIN NRB 3*23,8
34	413024201	CABLE CLAMP
35	413264501	GEAR ROLLER CLUTCH CPL.
36	411968703	SET SCREW FLAT, M3*3 TORX
37	413264401	GEAR
38	413221001	STEPPING MOTOR
39	413112104	THREAD TENSION SUB ASSEMBLY
40	412940204	THREAD TENSION ASSEMBLY CPL.



1	413121401	LID BACK ACC.BOX HV
2	412737401	BOBBIN HOLDER
3	413121301	LID FRONT ACC.BOX
4	413121101	ACCESSORY BOX CPL.
5	413018702	HARD COVER
6	412991404	FOOT CONTROLLER CPL.
7	412493002	CONTROL UNIT WITH WINDER
8	412184501	FOT
9	412157903	NET CABLE 120V
10	412157801	NET CABLE 220V
11	412158002	NET CABLE GB
12	412158101	NET CABLE AU
13	412157902	NET CABLE 120V JP

J

I



2



3



4



5



6



7



8



9



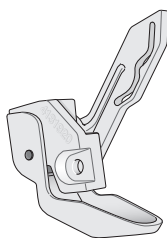
10



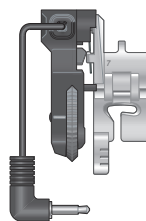
11



12



13



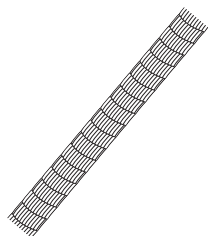
14



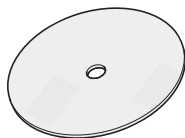
15



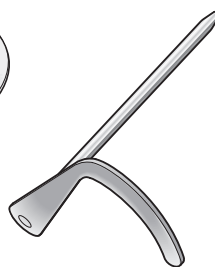
16



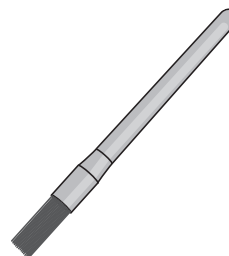
17



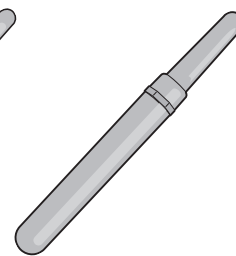
18



19



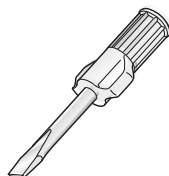
20



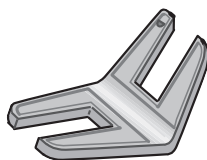
21



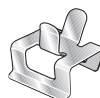
22



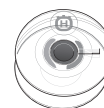
23



24



25



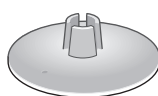
26



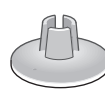
27



28



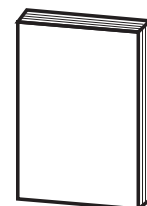
29



30



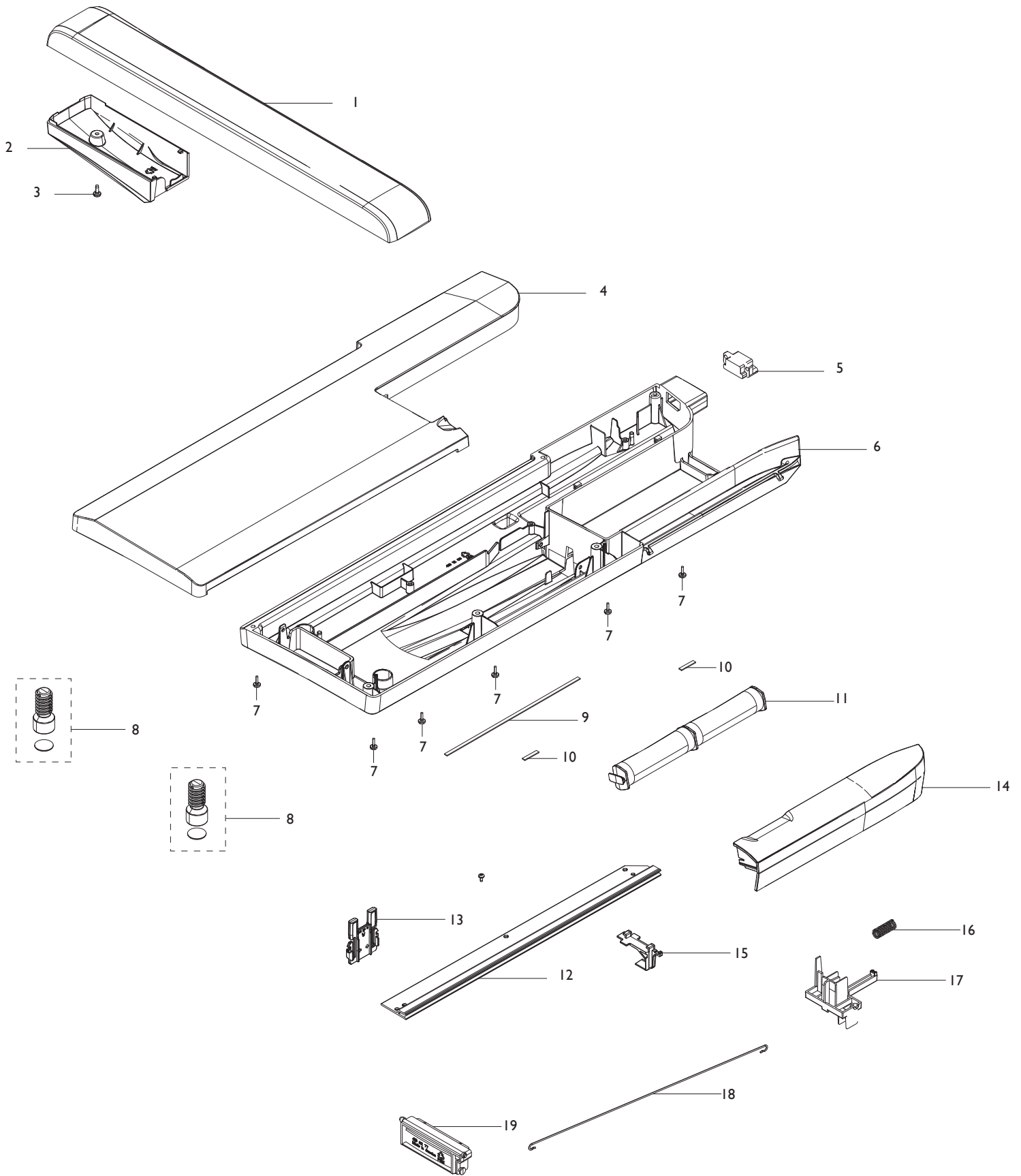
31



32

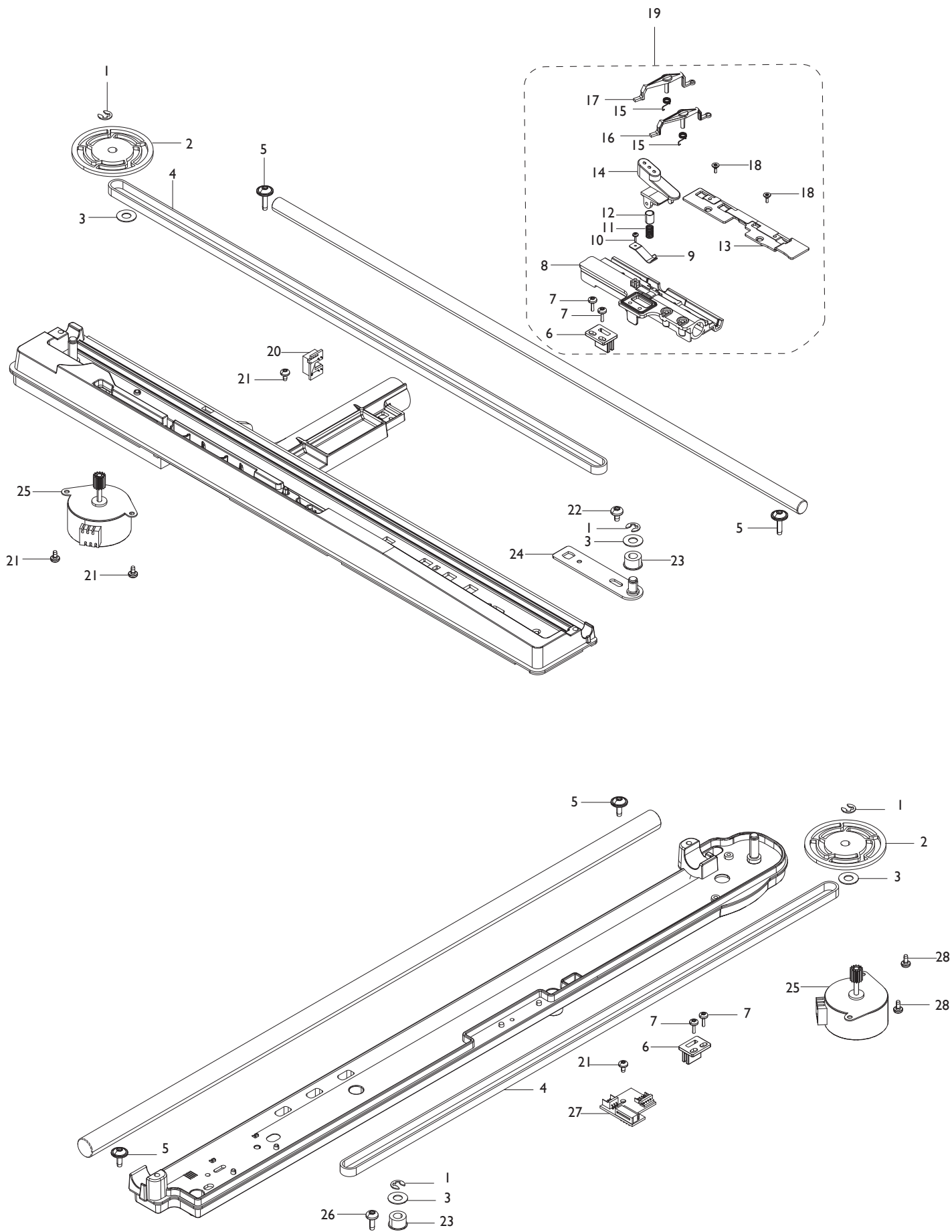
- 1 413021627 STANDARD ACCESSORIES CPL.
- 2 412764001 PRESSER FOOT A, 7MM
- 3 413113646 PRESSER FOOT B CPL.
- 4 412785345 BUTTONHOLE PRESSERFOOT C
- 5 412380445 BLIND HEM FOOT D
- 6 412801501 ZIPPER PRESSER FOOT
- 7 412796145 SMOOTH GLIDE FOOT H
- 8 412380645 EDGING PRESSER FOOT J
- 9 412785545 1/4" PIECING FOOT
- 10 412849801 EMBROIDERY FOOT R CPL.
- 11 412795245 PRESSERFOOT SIDE MOTION
- 12 412827401 GLIDE SOLE, BUTTONHOLE FOOT
- 13 413192001 Q-FOOT CPL.
- 14 412815102 BUTTONHOLE SENSOR FOOT CPL.
- 15 413113846 DECOR. STITCH PRESSER FOOT CPL.
- 16 413171704 STYLUS CPL.
- 17 412397701 THREAD NET 15*100
- 18 412610701 FELT PAD
- 19 412601901 GUIDE
- 20 413190401 BRUSH
- 21 401539901 SEAM RIPPER
- 22 413095709 USB MEMORY 1G
- 23 412381501 SCREW DRIVER
- 24 413105601 CLEARANCE PLATE
- 25 413070203 SET OF CLIPS
- 26 413182501 BOBBINS
- 27 412083848 PICTOGRAM PEN CPL.
- 28 413051603 SPOOL HOLDER 45MM
- 29 413051602 SPOOL HOLDER 35MM
- 30 413051601 SPOOL HOLDER 22MM
- 31 413150701 NEEDLES
- 32 413371001 USER'S GUIDE AHV289 SWE
- 32 413371006 USER'S GUIDE AHV289 DEN
- 32 413371010 USER'S GUIDE AHV289 JAP
- 32 413371011 USER'S GUIDE AHV289 FIN
- 32 413371021 USER'S GUIDE AHV289 NOR
- 32 413371026 USER'S GUIDE AHV289 ENG
- 32 413371031 USER'S GUIDE AHV289 FRE
- 32 413371036 USER'S GUIDE AHV289 DUT
- 32 413371041 USER'S GUIDE AHV289 ITA
- 32 413371046 USER'S GUIDE AHV289 SPA
- 32 413371051 USER'S GUIDE AHV289 GER
- 32 413371056 USER'S GUIDE AHV289 RUS
- 33 412964203 STRAIGHT STITCH PLATE
- 34 920219096 INTERCHANGEABLE DUAL FEED

K



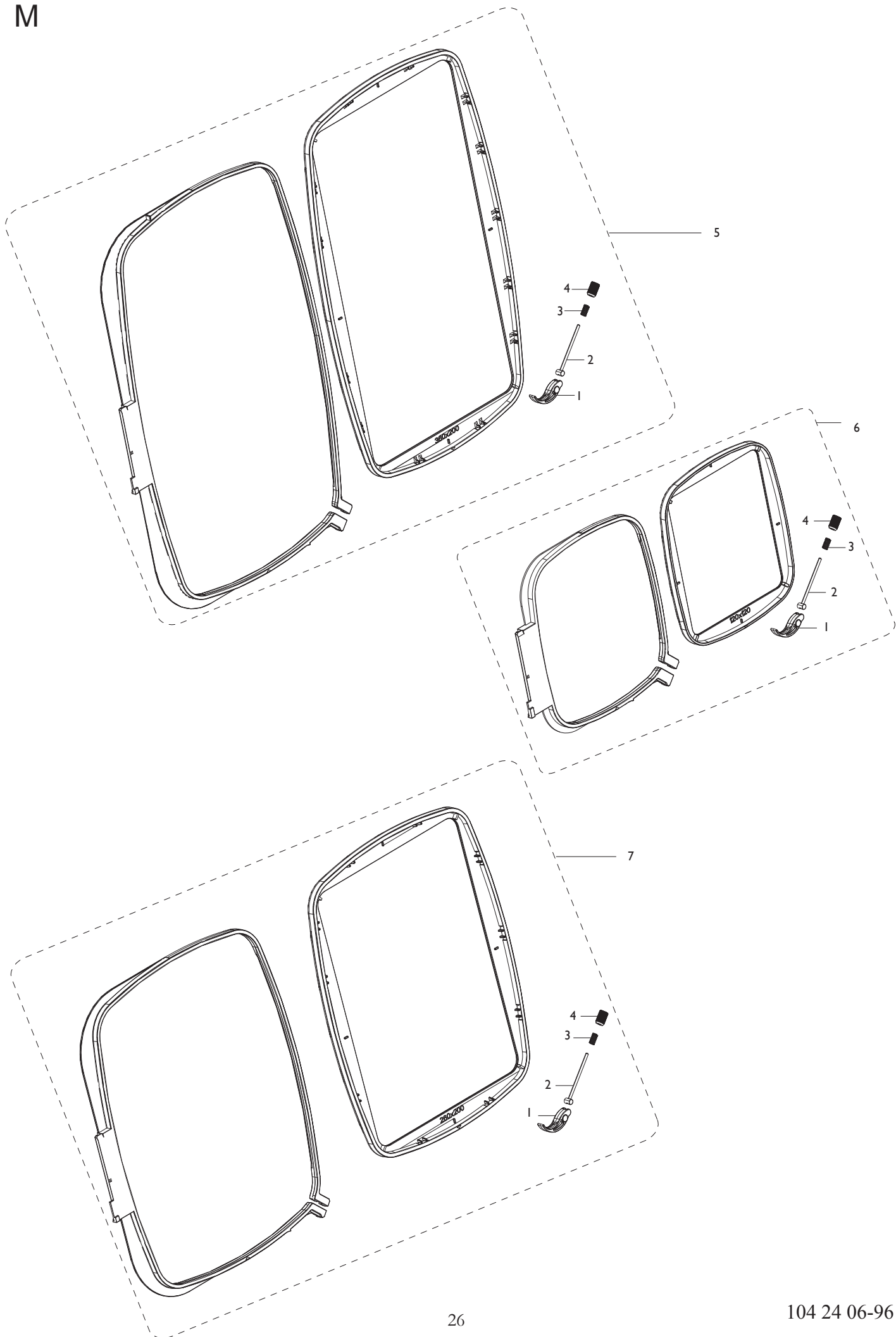
1	413120301	COVER , Y-ARM
2	413120401	MOTOR COVER Y-ARM
3	412056005	SCREW TAPITTE M4X10 TORX
4	413120101	COVER TOP XY-UNIT
5	413028801	CABLING, XY-UNIT, CPL.
6	413120001	COVER, BOTTOM XY-UNIT WHITE
7	411966807	SCREW PT 40X10 TORX
8	413028502	FOOT XY-UNIT
9	412529701	FRICTION TAPE
10	412529705	FRICTION TAPE
11	412737401	BOBBIN HOLDER
12	413119901	GUIDE, XY-UNIT
13	413030101	TRANSPORT LOCKING DEVICE
14	413120201	LATCH XY-UNIT
15	413119802	SUPPORT ARM, Y-ARM
16	412721401	SPRING LATCH
17	413027601	LATCH
18	413027804	CONNECTING ROD , LATCH
19	413027701	HANDLE LATCH

L



- 1 735310820 LOCK WASHER 4
- 2 412524601 GEAR WHEEL
- 3 412384301 WASHER 6/13*0.6 FZB
- 4 413027201 SYNCHRONOUS BELT XY-UNIT
- 5 412281904 SCREW FLANGE M4*10 TAPTITE TORX
- 6 412525301 HOLDER BELT
- 7 411966801 SCREW PT 30*7.5 FZB TORX
- 8 413026801 Y-SLED
- 9 413139801 PLATE SPRING, Y-SLED
- 10 411966823 SCREW PT 18*5 FZB TORX
- 11 412526601 SPRING
- 12 412590003 SLEEVE
- 13 413026901 PANEL Y-SLED, CPL.
- 14 413030201 LOCKING ARM Y-SLED
- 15 412555701 SPRING
- 16 412749801 SENSOR EMBROIDERY FRAME
- 17 412525402 SENSOR EMBROIDERY FRAME
- 18 411967306 SCREW PT FS 25*6 OXSV TORX
- 19 413026701 Y-SLED, CPL.
- 20 413029601 BOARD, HOOP DETECTION, CPL.
- 21 412056011 SCREW M3*5
- 22 412056012 SCREW M4*6
- 23 412384202 COG WHEEL
- 24 412524901 PLATE, BELT TENSION, CPL.
- 25 413029901 STEPPER MOTOR, XY-UNIT, CPL.
- 26 412056005 SCREW TAPTITE M4*10 TORX
- 27 413029301 BOARD, Y-ARM, CPL.
- 28 412056004 SCREW TAPTITE M3*6 TORX
- 29 413026801 Y-SLED

M



- 1 412984701 LOCKING HANDLE EMBR.HOOP
- 2 412956204 SCREW CPL., HOOP
- 3 412620701 SPRING EMBROIDERY HOOP
- 4 412996501 NUT EMBR. FRAME
- 5 412944501 EMBROIDERY FRAME CPL. 360*200
- 6 412968201 EMBROIDERY FRAME CPL. 120*120
- 7 413116501 EMBROIDERY FRAME CPL. 260*200

